

# PRODUCT DATASHEET

## SMART+ BT TIBEA Ceiling Tunable White

TIBEA E27 Tunable White | Indoor luminaire including LED lamp for indirect lighting with Bluetooth technology

---

### AREAS OF APPLICATION

- General illumination
- Residential interiors
- Professional (hotels, bars, boutiques etc.)



---

### PRODUCT BENEFITS

- Stylish and modern design
- Indirect lighting for a relaxing atmosphere
- Wireless control via app or voice control
- Easy to install and use
- Contains no mercury

---

### PRODUCT FEATURES

- Controllable via LEDVANCE SMART+ App (with minimum Android 6.0 or iOS 11.0)
- Adjustable color temperature via Tunable White: 2,000...6,500 K
- Dimmable
- As ceiling, pendant and mini type-version available
- Network protocol: Bluetooth
- Lifetime: up to 20,000 h



- For full functionality with control via Apple Home App connection to Apple TV (with tvOS 10 or later) or iPad (with iOS 10 or later) required

## TECHNICAL DATA

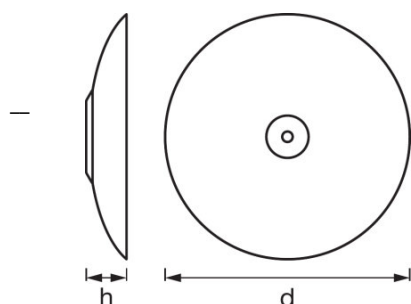
### Electrical data

<b>Nominal wattage</b>	22.00 W
<b>Nominal voltage</b>	220...240 V
<b>Mains frequency</b>	50/60 Hz

### Photometrical data

<b>Color temperature</b>	2700...6500 K
<b>Color rendering index Ra</b>	>80
<b>Light color (designation)</b>	Tunable White
<b>Luminous flux</b>	1350 lm
<b>Luminous efficacy of lamp in luminaire</b>	61 lm/W

### Dimensions & weight



<b>Product weight</b>	1310.00 g
<b>Height</b>	51.0 mm
<b>Diameter</b>	500.0 mm

### Colors & materials

<b>Product color</b>	White
<b>Body material</b>	Aluminum
<b>Housing color</b>	White

### Temperatures & operating conditions

<b>Ambient temperature range</b>	-20...+40 °C
----------------------------------	--------------

### Lifespan

<b>Lifespan</b>	20000 h
-----------------	---------

### Capabilities

<b>Holder designation</b>	E27
<b>Dimmable</b>	Yes
<b>Type of connection</b>	Terminal, 2-Pole (L, N)
<b>Compatible smart home technology</b>	Apple HomeKit / Google Assistant / Amazon Alexa

### Certificates & standards

<b>Standards</b>	CE
<b>Protection class</b>	II
<b>Type of protection</b>	IP20
<b>Energy clas. of compatible lamps</b>	A++/A+/A/B/C/D/E

### EQUIPMENT / ACCESSORIES

- For control via LEDVANCE SMART + App Android smartphone (with Android 6.0 and later) required
- For control via Apple Home App iPhone (with iOS 10 or later), iPad (with iOS 10 or later) , Apple TV (with tvOS 10 or later) or Apple Watch (with watchOS 2 or later) required

### LOGISTICAL DATA

Product code	Packaging unit (Pieces/Unit)	Dimensions (length x width x height)	Gross weight	Volume
4058075345409	Folding carton box 1	529 mm x 664 mm x 79 mm	2146.00 g	27.75 dm <sup>3</sup>
4058075345416	Shipping carton box 2	750 mm x 610 mm x 172 mm	5860.00 g	78.69 dm <sup>3</sup>

The mentioned product code describes the smallest quantity unit which can be ordered. One shipping unit can contain one or more single products. When placing an order, for the quantity please enter single or multiples of a shipping unit.

### DISCLAIMER

Subject to change without notice. Errors and omission excepted. Always make sure to use the most recent release.