

PRODUCT DATASHEET

SMART+ MODERN LANTERN Wall Multicolor

SMART+ Modern Lantern Multicolor | Outdoor lantern with Bluetooth technology



AREAS OF APPLICATION

- Outdoor use (IP44)

PRODUCT BENEFITS

- Easy to install and use
- Colorful garden lighting with smart and intelligent control options
- Uses multi color and cold or warm white light for most flexible lighting scenes
- Combines the functionality of general lighting and mood lighting

PRODUCT FEATURES

- Available as wall and bollard luminaires
- Controllable via LEDVANCE SMART+ App (with minimum Android 6.0 or iOS 11.0)
- RGB color control, approx. 16 million color options adjustable
- Adjustable color temperature via Tunable White: 2,000...6,500 K
- Dimmable
- Diffuser made of clear polycarbonate
- Network protocol: Bluetooth



- For full functionality with control via Apple Home App connection to Apple TV (with tvOS 10 or later) or iPad (with iOS 10 or later) required

TECHNICAL DATA

Electrical data

Nominal wattage	12.00 W
Nominal voltage	220...240 V
Mains frequency	50/60 Hz

Photometrical data

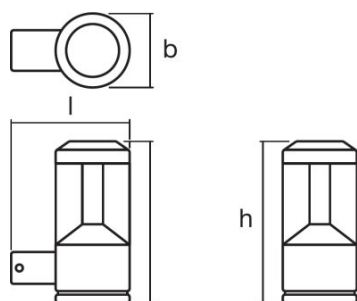
Color temperature	2000...6500 K
Color rendering index Ra	80
Light color (designation)	RGBW
Luminous flux	650 lm
Luminous efficacy of lamp in luminaire	52 lm/W

Light technical data

Beam angle	360 ° ¹⁾
-------------------	---------------------

¹⁾ ZMP_110132

Dimensions & weight



Product weight	1230.00 g
Length	176.0 mm
Width	110.0 mm
Height	240.0 mm

Colors & materials

Product color	Dark gray
Body material	Aluminum
Cover material	Polycarbonate (PC)

Housing color	Dark gray
----------------------	-----------

Temperatures & operating conditions

Ambient temperature range	-20...+40 °C
----------------------------------	--------------

Additional product data

Product remark	Reset settings to default by switching the product on for three seconds and off for three seconds and repeating this five times.
-----------------------	--

Capabilities

Dimmable	Yes
Type of connection	Terminal
Compatible smart home technology	Apple HomeKit / Google Assistant / Amazon Alexa
LED module replaceable	Not replaceable

Certificates & standards

Standards	CE
Protection class	I
Type of protection	IP44
EEL of included LED module	A

EQUIPMENT / ACCESSORIES

- For control via LEDVANCE SMART + App Android smartphone (with Android 6.0 and later) required
- For control via Apple Home App iPhone (with iOS 10 or later), iPad (with iOS 10 or later) , Apple TV (with tvOS 10 or later) or Apple Watch (with watchOS 2 or later) required
- Power supply included

LOGISTICAL DATA

Product code	Packaging unit (Pieces/Unit)	Dimensions (length x width x height)	Gross weight	Volume
4058075184572	Folding carton box 1	134 mm x 204 mm x 296 mm	1385.00 g	8.09 dm ³
4058075232914	Shipping carton box 4	420 mm x 280 mm x 306 mm	5855.00 g	35.99 dm ³

The mentioned product code describes the smallest quantity unit which can be ordered. One shipping unit can contain one or more single products. When placing an order, for the quantity please enter single or multiples of a shipping unit.

DISCLAIMER

Subject to change without notice. Errors and omission excepted. Always make sure to use the most recent release.